

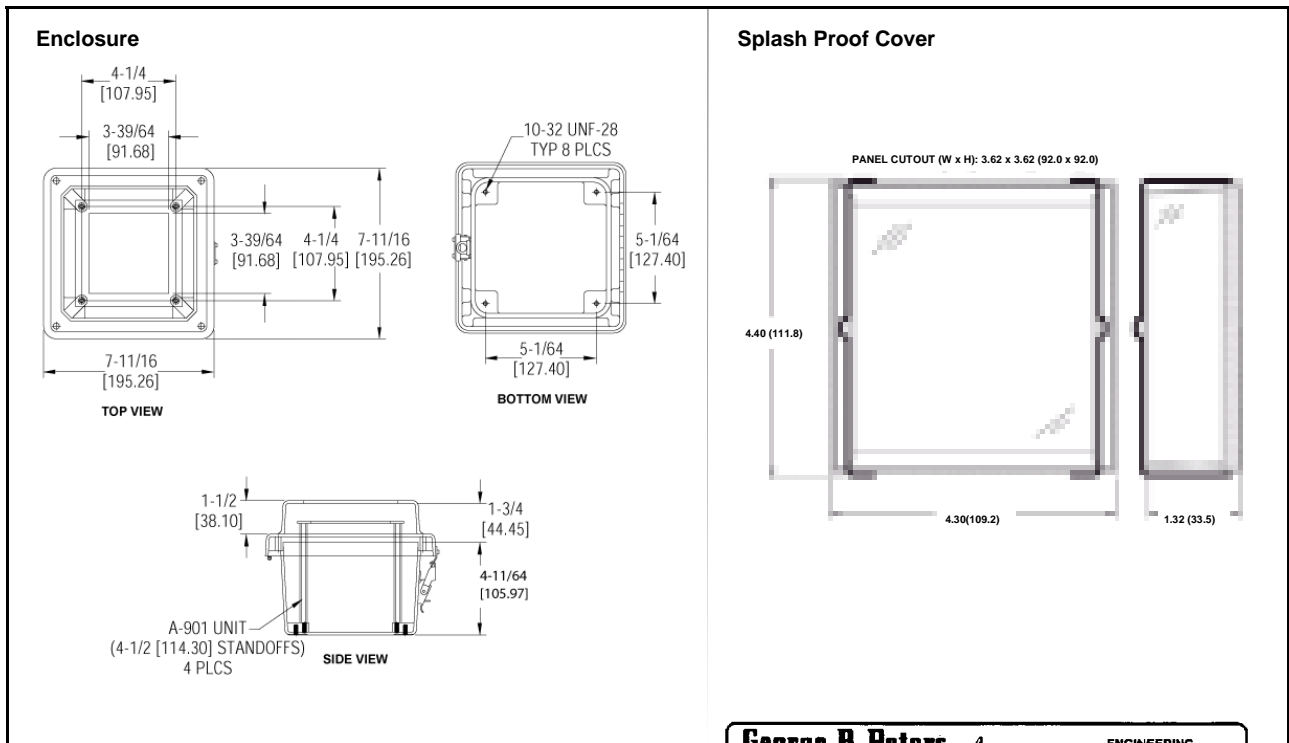


Description

The NEMA 4X kit consists of a heavy duty molded plastic NEMA 4X enclosure with a lockable hinged door and the SPC-1250 splash proof cover. The door of the enclosure is die cut to accept the Data Chart 1250. When using this kit, the DC1250 can be mounted outdoors or in harsh wet environments. The kit also includes stainless steel mounting feet for wall mounting. The enclosure can be easily drilled to accept conduit or water tight gland fittings for input signal and power wires.



Dimensions



Weight: 4.0 lbs

George R. Peters Associates ENGINEERING SALES REPRESENTATIVES

(248) 524-2211 • Fax (248) 524-1758

Web Site: www.grpeters.com